



NTSC U/C

PlayStation™

# THUNDER STRIKE™



KIDS TO ADULTS



AGES 6+

SLUS-00191





## **WARNING**

### ***READ BEFORE USING YOUR PLAYSTATION GAME CONSOLE***

A very small percentage of individuals may experience epileptic seizures when exposed to certain light patterns or flashing lights. Exposure to certain patterns or backgrounds on a television screen or while playing video games, including games played on the PlayStation game console, may induce an epileptic seizure or epilepsy. If you, or anyone in your family, has an epileptic condition, consult your physician prior to playing. If you experience any of the following symptoms while playing a video game—dizziness, altered vision, eye or muscle twitches, loss of awareness, disorientation, any involuntary movement, or convulsions—**IMMEDIATELY** discontinue use and consult your physician before resuming play.


### ***WARNING TO OWNERS OF PROJECTION TELEVISIONS***

Still pictures or images may cause permanent picture-tube damage or mark the phosphor of the CRT. Avoid repeated or extended use of video games on large screen projection televisions. Refer to your projection TV instruction manual for more details.

### ***HANDLING YOUR PLAYSTATION DISC***

- This compact disc is intended for use only with the PlayStation game console.
- Do not bend it, crush it or submerge it in liquids.
- Do not leave it in direct sunlight or near a radiator or other source of heat.
- Be sure to take an occasional rest break during extended play.
- Keep this compact disc clean. Always hold the disc by the edges and keep it in its protective case when not in use.
- Clean the disc with a lint-free, soft, dry cloth, wiping in straight lines from center to outer edge. Never use solvents or abrasive cleaners.





# THUNDER STRIKE™



## CONTENTS

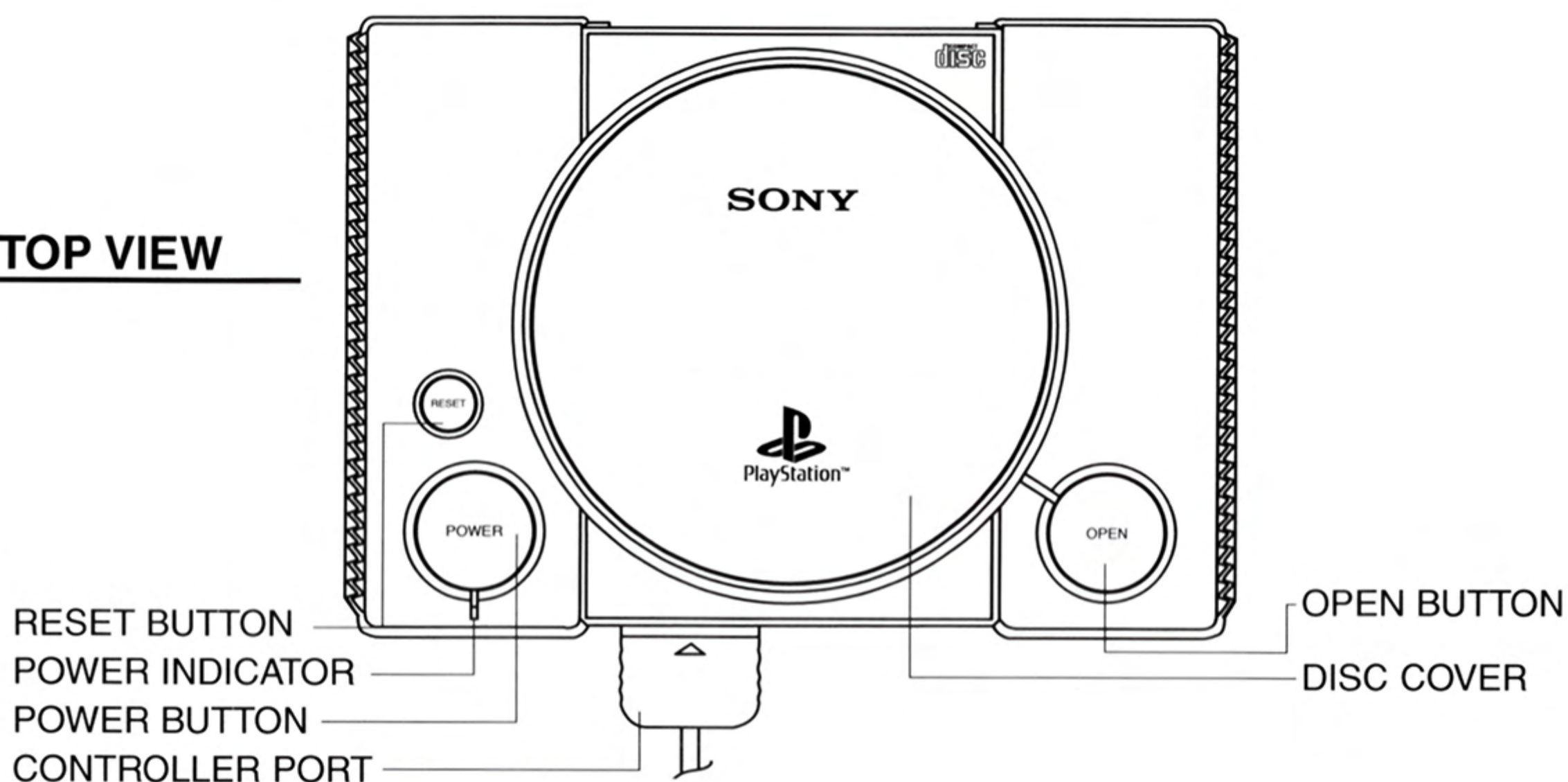
SETTING UP .....	2
CONTROLS .....	3
QUITTING THE GAME .....	4
NATO RRHTF ORDERS - F1/99 .....	5
THE AH-73M THUNDERSTRIKE ATTACK HELICOPTER .....	5
STARTING UP .....	6
MAIN MENU .....	7
LOAD GAME .....	7
NEW GAME .....	7
OPTIONS SCREEN .....	8
CAMPAIGN SELECTION .....	8
COCKPIT INSTRUMENTATION .....	12
OBJECTIVES .....	13
COMBAT HINTS .....	15
CREDITS .....	15



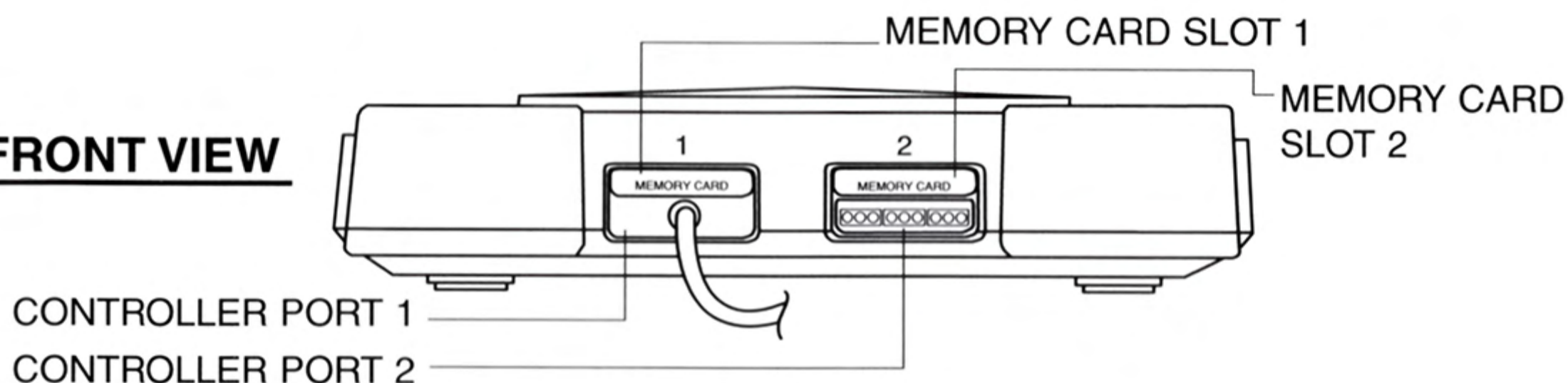
# SETTING UP

## CONSOLE

### TOP VIEW



### FRONT VIEW



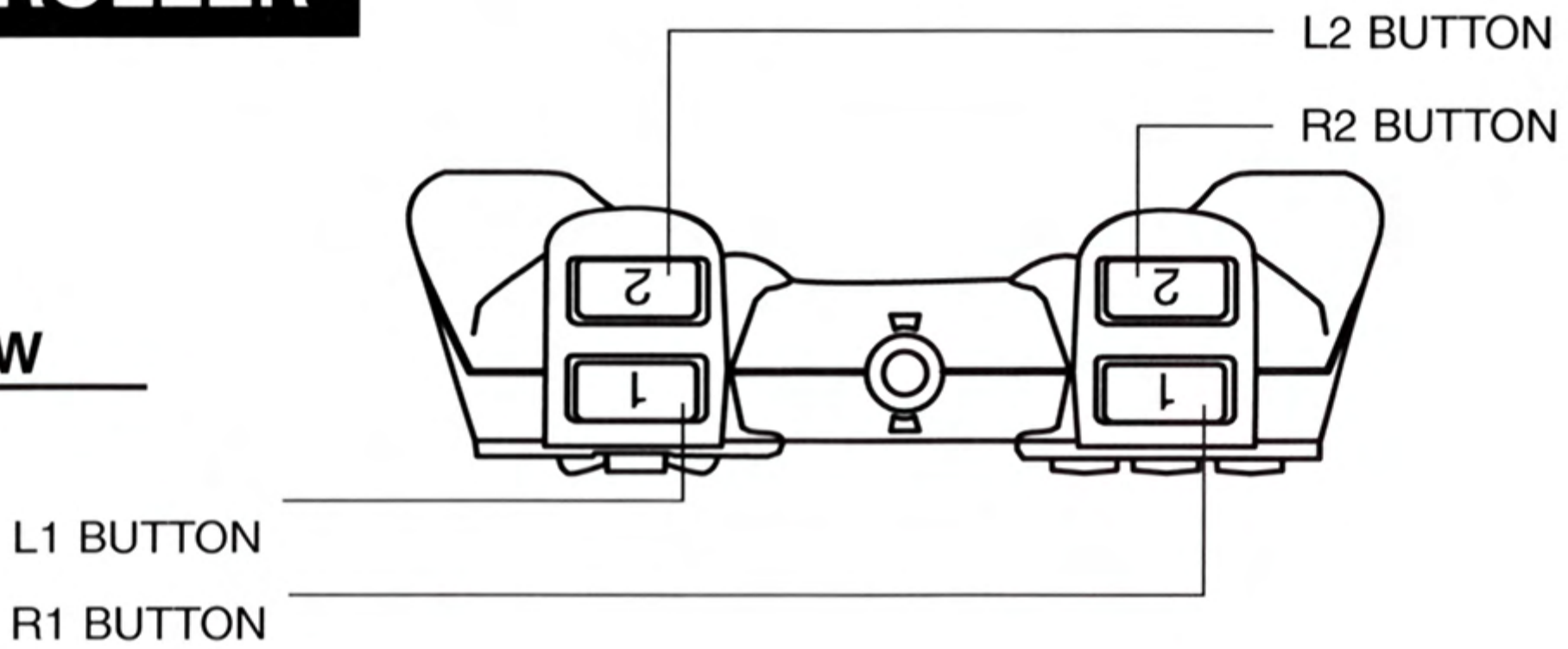
1. Set up your PlayStation game console according to the instructions in its Instruction Manual.
2. Insert the ThunderStrike 2 disc and close the CD door.
3. Insert a game controller and turn the PlayStation game console On. Follow on-screen instructions to start a game.



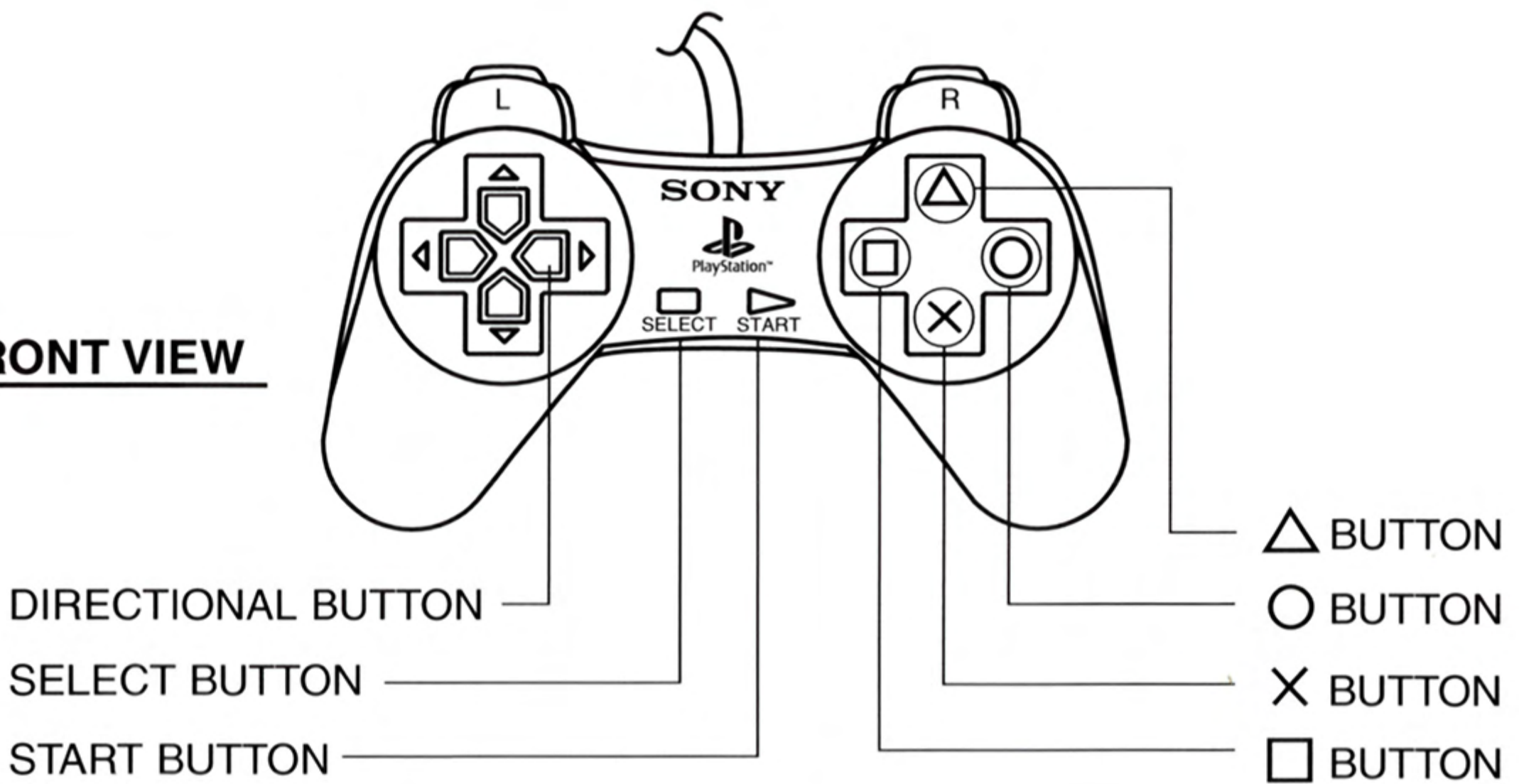
# CONTROLS

## CONTROLLER

### TOP VIEW



### FRONT VIEW



Directional Buttons.

- Up** Accelerates and moves your Helicopter forward.
- Down** Decelerates and moves your Helicopter backward.
- Right** Moves your Helicopter to the right.
- Up & Right** Makes your Helicopter bank right.
- Left** Moves your Helicopter to the left.



**Up & Left** Makes your Helicopter bank left.

**Buttons L2 Shoulder** Toggles through three varying viewpoints:

- 1 - With Cockpit.
- 2 - Without Cockpit.
- 3 - External view.

**R2 Shoulder** Used in conjunction with the Directional Buttons causes the following:

**R2 + Right** While hovering, rotates right on the spot.

**R2 + Left** While hovering, rotates left on the spot.

**R2 + Up** While hovering, increases altitude.

**R2 + Down** While hovering, decreases altitude.

Pressing individually will change currently selected target to the next nearest.

**Triangle** Increases altitude while in flight, when used in conjunction with forward or backward movement on the Directional Buttons.

**Square** Fires currently selected weapon.

**Circle** Toggles through available weapons.

**Cross** Decreases altitude while in flight, when used in conjunction with forward or backward movement on the Directional Buttons.

**L1 Shoulder** Rotates your Helicopter to the left.

**R1 Shoulder** Rotates your Helicopter to the right.

**Start Button** While in game play, pressing the Start Button pauses the game, pressing the same button again resumes the game.

## ***QUITTING THE GAME***

To quit the game and return to the title screen, hold down the select button then press and hold down the start button for two seconds.



## **NATO RRHTF ORDERS — F1/99**

From: General John T. Maclaime, Supreme Commander NATO

To: NAME DELETED ON NEED-TO-KNOW BASIS

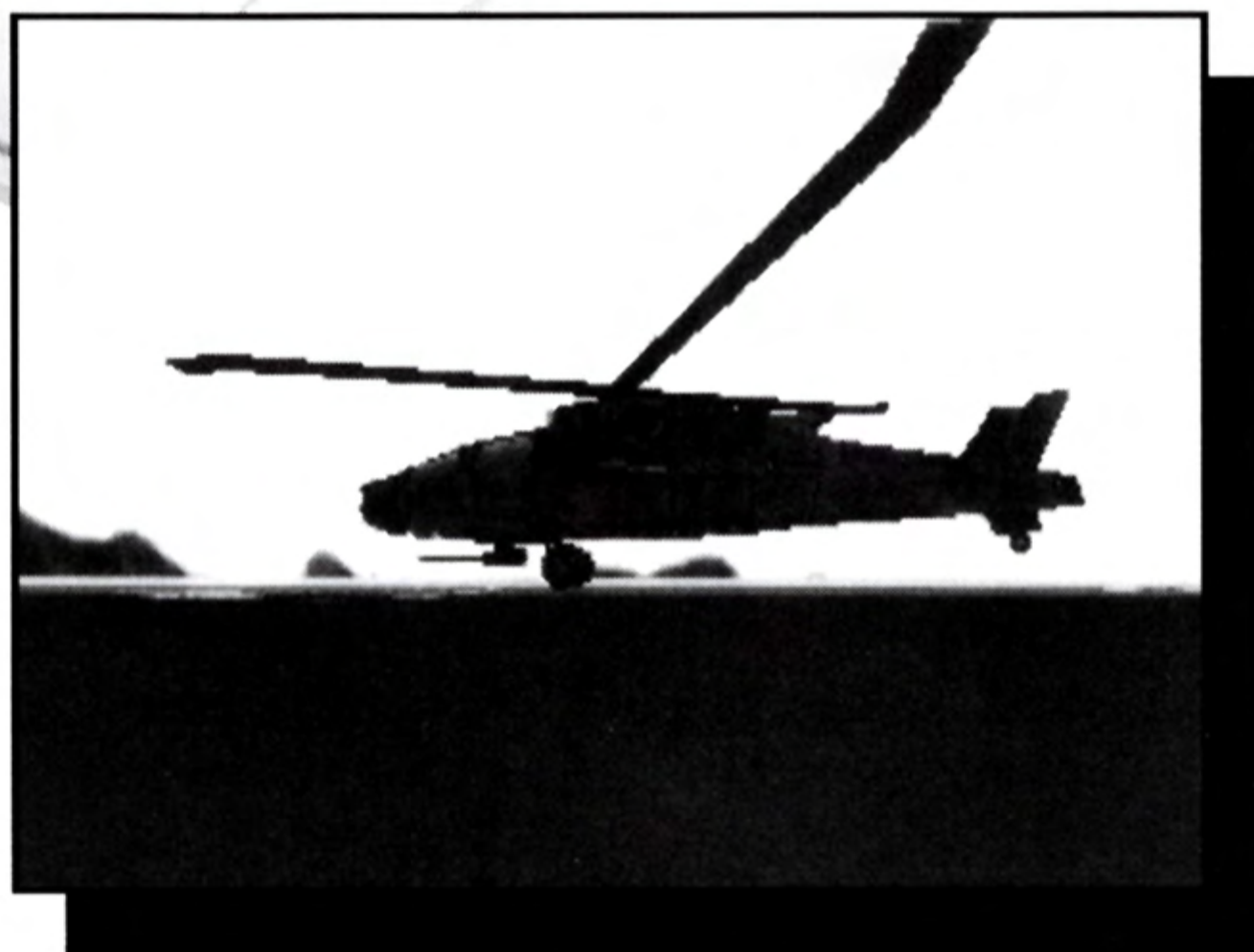
Dateline: 1999. Potential flashpoint situations in all parts of the world have increased to such an extent that NATO has been forced to establish a rapid response, helicopter task force to combat them.

Its codename — FIRESTORM.

As FIRESTORM ONE, the lead pilot of this elite force, you must be on twenty-four hour stand-by, ready to fly your AH-73M Thunderstrike attack helicopter on a variety of highly dangerous missions across the globe.

Good luck.

### **THE AH-73M THUNDERSTRIKE ATTACK HELICOPTER**



Origin: USA.

First flight 8th April, 1998.



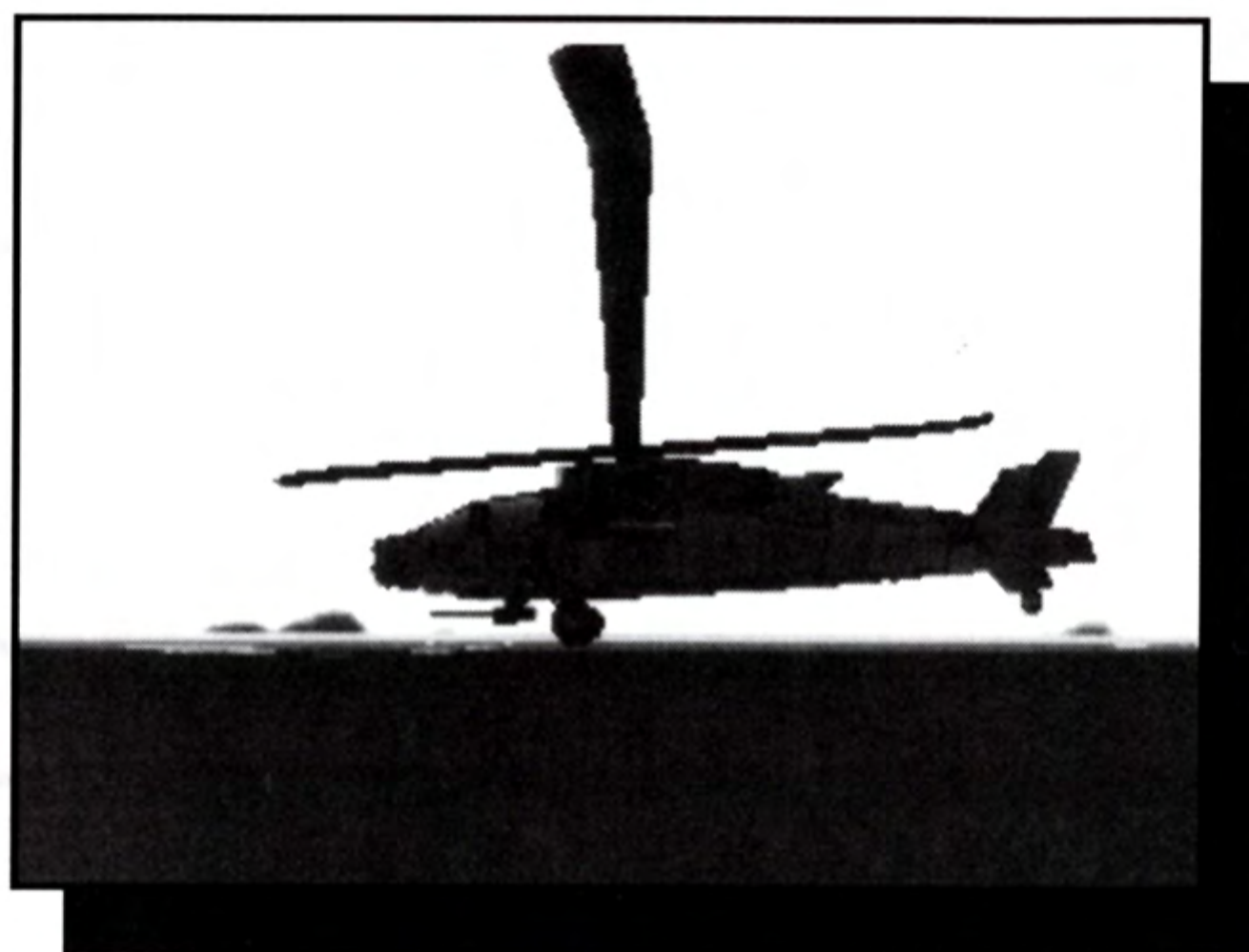
- Engines:** Two 1750 SHP (each) T-800B turboshaft engines, with a capability with only one engine operational.
- Performance:** Max. Speed, 235 mph. Minimum hover ceiling, 13,500ft. Max. Range (own fuel), 500 miles.
- Weights:** Empty, 9,127 lbs; Mission Weight (Gross), 12,048lb.
- Systems:** Designed to withstand enemy fire of 12.7mm and 30mm, thereby greatly reducing combat losses due to damage of critical flight components.
- Armament:**
- 30mm Chain Gun: Unlimited supply of ammunition.
  - AGM-214 Firestorm Homing Missile: Maximum of 28 missiles.
  - FFAR Rocket Pod: Maximum of 116 rockets (fires 2 at a time).
  - RCS-233 Runway Cratering System: Maximum of 4 pods
  - 'Big Boy' Mk-84 500lb bomb: Maximum of 8 bombs.
  - Mac-874A Cluster Bomb: Maximum of 20 bombs.
  - Mk-3 Penguin Anti-shipping Missile: Maximum of 8 missiles.

## ***STARTING UP***

Thunderstrike 2 begins with an animated Introduction. The Introduction is followed by the Title Screen. From the Introduction, press Start Button to take you to to the Main Menu.



## **MAIN MENU**



Highlight the option of your choice using the Directional Buttons and select by pressing the Cross Button. These are the choices offered:

### **LOAD GAME**

When Load Game is selected a password screen will appear. To load a previous game input the relevant password by highlighting the characters of your password using the Directional Buttons and select by pressing the Cross Button, on completion highlight and select OK. Your game will now begin. You may also select your last game which is automatically stored and displayed.

### **NEW GAME**

When New Game is selected a Name Request screen will appear. Input a name by highlighting the character of your choice using the Directional Buttons and select by pressing the Cross Button. On completion highlight and select OK. You will now proceed to the Mission Select screen.



## OPTIONS SCREEN

When the Options screen is selected, you will be presented with 3 main option headings.

Toggle through the main headings and options using the Directional Button.

**1. Control:** Configure your PlayStation Controller Options.

**NOTE:** The easiest configuration for flying uses **ROTATE LEFT** and **ROTATE RIGHT** for the L1 and R1 buttons.

**2. Level:** Select an Easy, Medium or Hard game.

**3. Sound:** Turns on/off the Background Music and SFX in the game.

**EXIT** Highlight EXIT using Directional Buttons and select by pressing the Cross Button this will return you to the Main Menu.

## CAMPAIGN SELECTION

On the Campaign Selection Screen you will see a map of the world.





You may select any one of the 8 Campaigns by highlighting the option of your choice using the Directional Buttons and select by pressing the Cross Button.

## **The Campaigns are as follows:**

### **CAMPAIGN: South America #1**

#### **Arms Running**

Intelligence reports indicate that the Columbian drugs cartels are smuggling in vast quantities of arms at an airstrip in northern Columbia. From a forward command base just over the border in Venezuela, you must coordinate your attacks on the arms smuggling operation.

### **CAMPAIGN: South America #2**

#### **Stealth Down**

When terrorists of the Red Commando movement took hostages three diplomats from the United States embassy in the Peruvian capital of Lima, a stealth plane was dispatched to pinpoint their whereabouts. This plane was subsequently shot down somewhere over the Cordillera mountain range in eastern Peru. The American hostages have been released, but the stealth pilot is still alive and on the run in Red Commando territory. You must go in there and get him out.

### **CAMPAIGN: Panama Canal**

#### **Canal Crisis**

The democratically elected government has been brutally overthrown by a military Junta under the command of General Hernando Dorada. Since then, the Panama canal



— the main shipping lane between the Pacific and the Caribbean — has been under blockade. Your mission is to break the blockade and free the shipping lane.

### **CAMPAIGN: Central America**

#### **Recapture Town**

The Panamanian Dictator, General Hernando Dorada, has attacked the neighboring country of Costa Rica. His troops have established a bridgehead in the town of San Lorenzo, just over the border. Your job is to assist Costa Rican troops in recapturing the town.

### **CAMPAIGN: Eastern Europe**

#### **Escort Convoy**

Serbian forces have been besieging the town of Zavisnik in the former Yugoslavia for the past three months. The people of Zavisnik are starving and aid convoys are unable to get through to them. You're going to be escorting an 'Aid Without Frontiers' convoy into the town and the only way you can do this, is by breaking the siege.

### **CAMPAIGN: Middle East #1**

#### **Oil Dispute**

Tension in the middle east between Iraq and her neighbor, Jordan, reaches a flashpoint when Iraqi troops cross the border, heading for the Jordanian capital, Amman. Your primary objective is to assist the Jordanian army in repelling the invasion force.



## CAMPAIGN: Middle East #2

### **Recapture Territory**

History repeats itself when Iraq invades Kuwait. NATO is planning an immediate response with the landing of a task force of British and American marines on Kuwait's gulf coast. Before this can happen, you must assist them by clearing the beach-head of enemy forces.

## CAMPAIGN: South China Sea

### **Piracy**

The South China Sea has been plagued by pirates for many years. Hiding out on the hundreds of tiny islands comprising the Philippines archipelago, they are consequently very difficult to track down. One particular band of pirates, known as the 'Black Skull Gang', has been attacking passenger ships travelling from Malaysia to the Philippine capital, Manila. In the past three months they have attacked no less than twenty-four ships and murdered fifteen people. It's your job to put a stop to their murderous exploits.

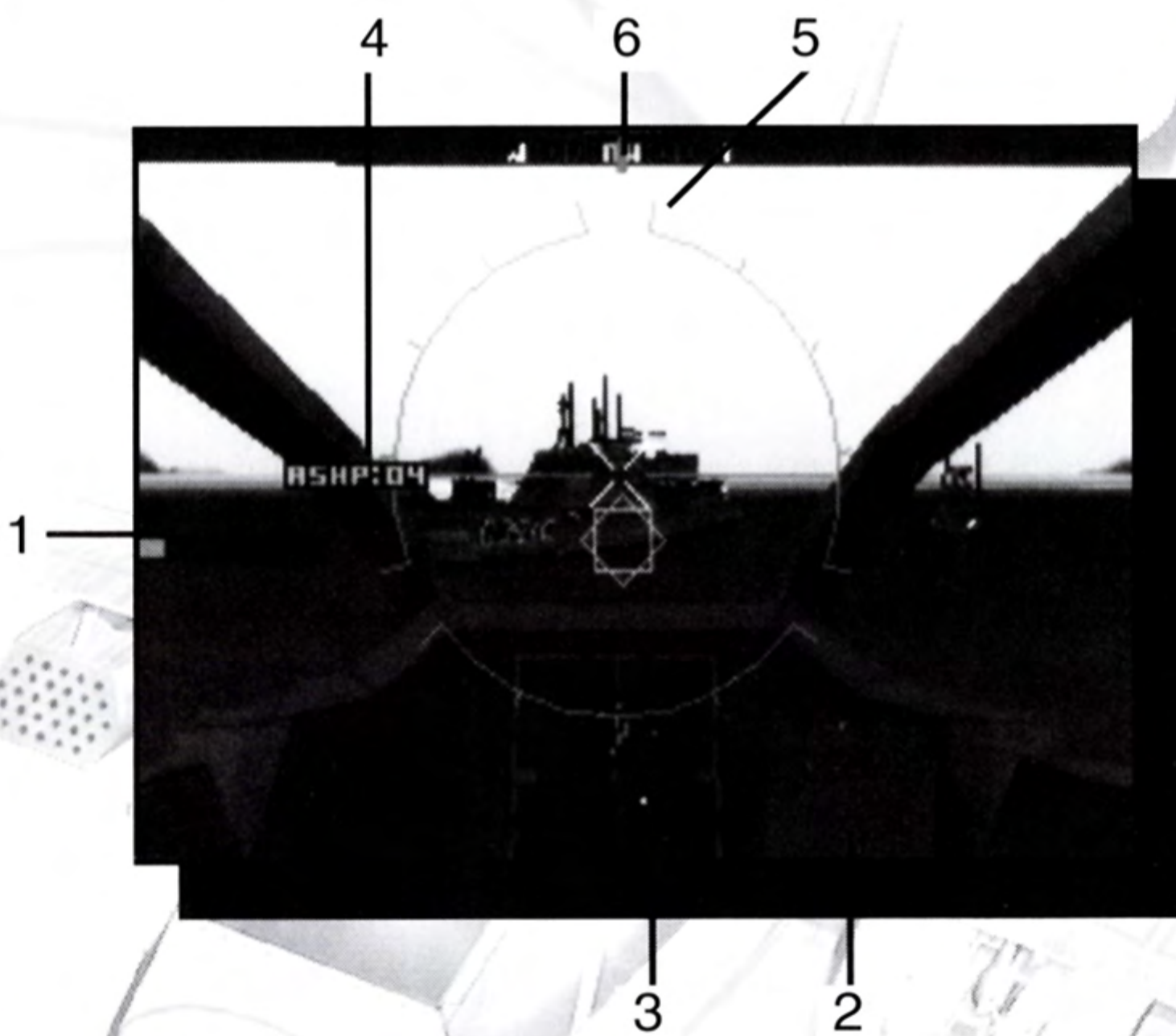
ARMING THE AH-73M Thunderstrike attack helicopter.

After selecting a campaign you will be presented with an armament selection screen. Each campaign has a weapon default selection but here you have the opportunity of arming to your personal preference. Use the Directional Button to toggle through the various options of missiles, when you have a selection that you are happy with highlight OK and press Cross Button. If however you wish to revert back to the campaign default setting simply highlight RESET, press the Cross Button, then highlight and select OK. You will now be ready to carry out your mission — good luck!



# COCKPIT INSTRUMENTATION

The cockpit of your AH-73M Thunderstrike attack helicopter contains the very latest, state-of-the-art instrumentation. These 'multi-functional' monitors enable you to spend less time actually controlling the helicopter and more time engaging in combat.



## 1. ARMOR LEVEL

This display indicates the level of armor integrity.

## 2. MAP DISPLAY

The Map Display provides an overhead view of the terrain across which you are flying as well as displaying all ground objects.

Primary targets are shown as colored dots. You will also see a dotted line on the map which indicates the perimeter of the Mission Zone.



### **3. RADAR**

This displays all short-range threats within the Mission Zone.

Ground-based threats are shown by red dots, airborne threats as yellow dots and missiles as white dots.

### **4. WEAPON SELECTION**

This displays your current weapon. When all of your missiles and bombs are spent, your weapon selection will automatically revert to the Chain Gun.

### **5. RADAR DETECTION WARNING DISPLAY (RDWD)**

This display flashes amber to warn you when an enemy is tracking your flightpath. It will turn red when your exact position has been pinpointed and the enemy has locked on to you with its weapons.

### **6. HEADING INDICATOR**

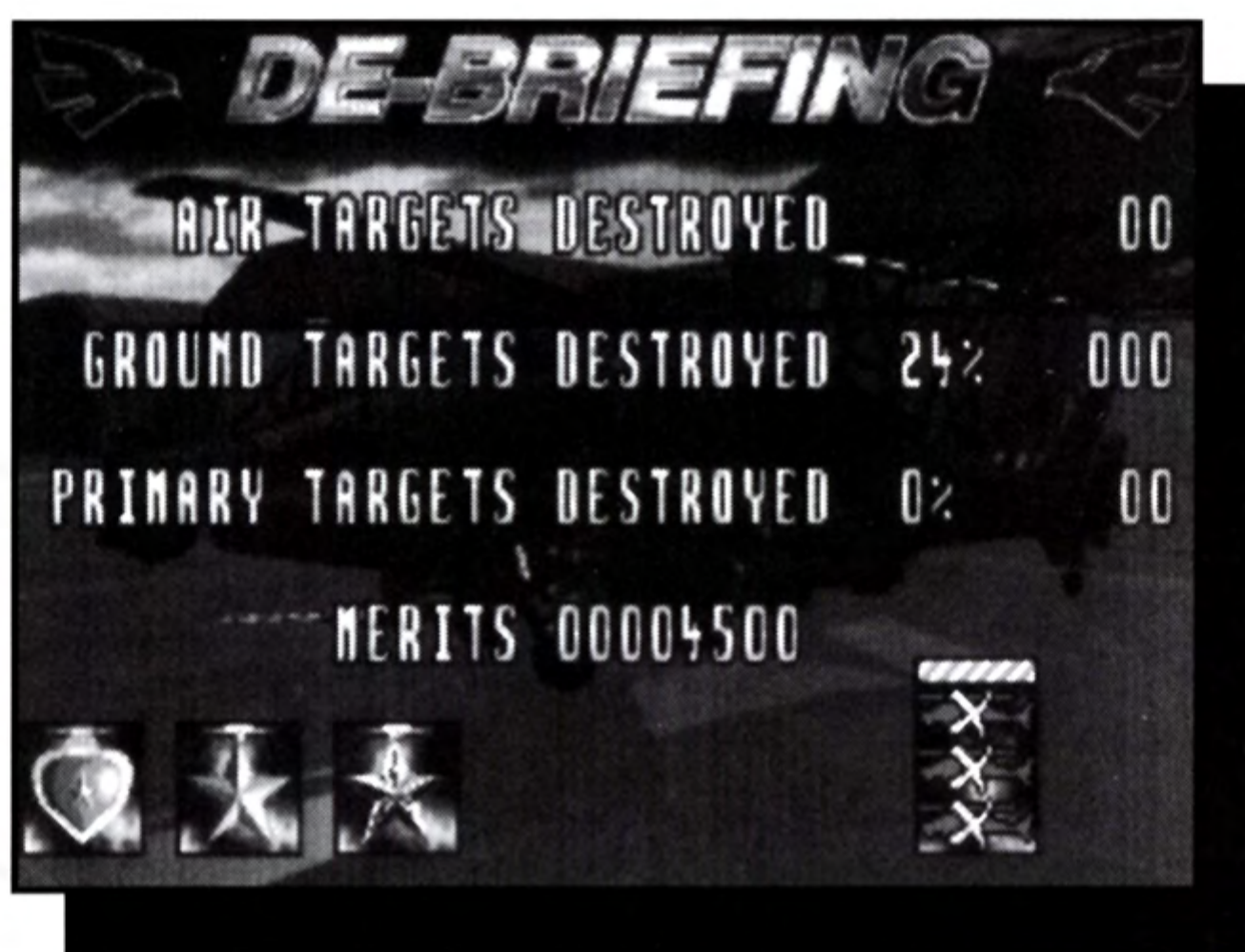
The red bar located above your compass indicates the course you must follow to your Primary Targets.

## **OBJECTIVES**

Your overriding objective is to successfully complete every mission in each Campaign. Campaigns can be selected in any order, but missions must be completed chronologically. Some Campaigns are easier than others, but you'll have to try them out.

If you successfully complete a mission, the Debrief Screen will appear.





This shows how skillful you are by the use of percentages and points awarded. A bonus will be awarded if you achieve the Main Objective in a particular mission.

Following the successful completion of a mission, if you have performed above and beyond the call of duty, you will be presented with a medal and will then be returned to the Briefing Room to be briefed on your next mission.

Upon the successful completion of an entire Campaign, you will be presented with a Campaign Ribbon and will then be returned to the Campaign Selection Screen to choose your next Campaign.

If you do not destroy all your Primary Targets/achieve your Mission Objectives but have managed to fly out of the Mission Zone, the Debrief Screen will appear showing your percentage of kills. For your failure, you will receive 1 demerit. If you receive 3 demerits in any one Campaign, you will be stripped of your pilot's wings and grounded.



## **COMBAT HINTS**

Make sure you listen carefully to each Mission Briefing; doing so will allow you to plan your attack to the best advantage.

Fly low in order to avoid being detected by enemy radar — but watch out for trees!

Try not to get too involved during the early stages of a mission. It's best to head straight for your Primary Targets and then destroy any remaining ground targets if you have sufficient armor integrity.

Only leave the Mission Zone if your armor integrity is low.

## **CREDITS**

**Core Design Presents: FIRESTORM — Thunderstrike 2**

Lead Programmer  
Mark 'Mac' Avory

Production Design and Graphics  
Roberto Cirillo

Programming Support and Conversion  
Andrew 'Dude' Howe

Additional Programming  
David Long

Music and Sound Effects  
Martin Iveson



Production Co-ordination

Adrian Smith, Troy Horton

Game Evaluation

Darren Price, Tiziano Cirillo  
Jamie Morton, Richard Morton  
Dave Ward

Executive Producer

Jeremy Smith

**For U.S. Gold Inc.**

Assistant Producer

Mike Schmitt

Quality Assurance

Brian Schorr, Frank Hom, Mike Schmit, Tom Marx  
Dan Wong, Dan Lam, Steve Dreo, Ricky Chow

Product Manager

Frank Alizaga Jr. (Swanky)

Marketing Support (U.S.)

Kelly Lindlar, Sutton Trout  
Lee Wilkinson

Special Thanks

Robert Botch, Joseph Olin, Karl Hess, Jerry Soto  
Eileen Noguchi, Mary Lynn Slattery, Sean Mylett  
John Lee, Cindy De Martini, Aida Santiago  
Ann Cuadra, Tina Piazza, Donna Crawford  
Rachel Morgan, Joe O'Donnell, Susan Powers  
Mr. Tambourine Man



# ***U.S. GOLD INC, LIMITED WARRANTY***

U.S. GOLD, INC. warrants to the original purchaser that this U.S. GOLD disk is free from defects in materials and workmanship for a period of ninety (90) days from the date of purchase. This U.S. GOLD disk is sold "as is" without expressed or implied warranty of any kind, and U.S. GOLD is not liable for any losses or damages of any kind resulting from use of this program. U.S. GOLD agrees for a period of ninety (90) days to either repair or replace, at its option, free of charge, any U.S. GOLD disk, postage paid, with proof of date of purchase, at its Factory Service Center.

This limited warranty is not applicable to normal wear and tear. This limited warranty shall not be applicable and shall be void if the defect in the U.S. GOLD disk has arisen through abuse, unreasonable use, mistreatment or neglect. This limited warranty is in lieu of all other warranties and no other representations or claims of any nature shall be binding on or obligate U.S. GOLD. Any implied warranties of merchantability and fitness for a particular purpose, are limited to the ninety (90) day period described above. In no event will U.S. GOLD be liable for any special, incidental, or consequential damages resulting from possession, use or malfunction of this disk.

Some states do not allow limitation as to how long an implied warranty lasts and/or exclusions or limitations or incidental or consequential damages so the above limitations and/or exclusions of liability may not apply to you. This warranty gives you specific rights, and you may also have other rights which vary from state to state.

Our HELP Line number is (415) 693-0497. Customer service is available Monday through Friday 9:00AM to 5:00PM Pacific Time.





NTSC U/C

PlayStation™

# THUNDER STRIKE™



KIDS TO ADULTS



AGES 6+

SLUS-00191

U.S. Gold Inc., 303 Sacramento Street, San Francisco, CA 94111.  
Thunderstrike 2 is a trademark of JVC. © 1995 U.S. Gold Inc. All rights reserved.

Licensed by Sony Computer Entertainment America for use with the PlayStation game console. PlayStation, the PlayStation logo and the PS logo are trademarks of Sony Computer Entertainment America. The ratings icon is a registered trademark of the Interactive Digital Software Association. Manufactured and printed in U.S.A.

U.S. and foreign patents pending.

